



Installation manual

Awning *Kalmar*

Simply brighter living



Icon overview



Use with sun



Don't use with snow



Don't use with rain



Don't use with hail



Class by N. of cycles



Made in Europe

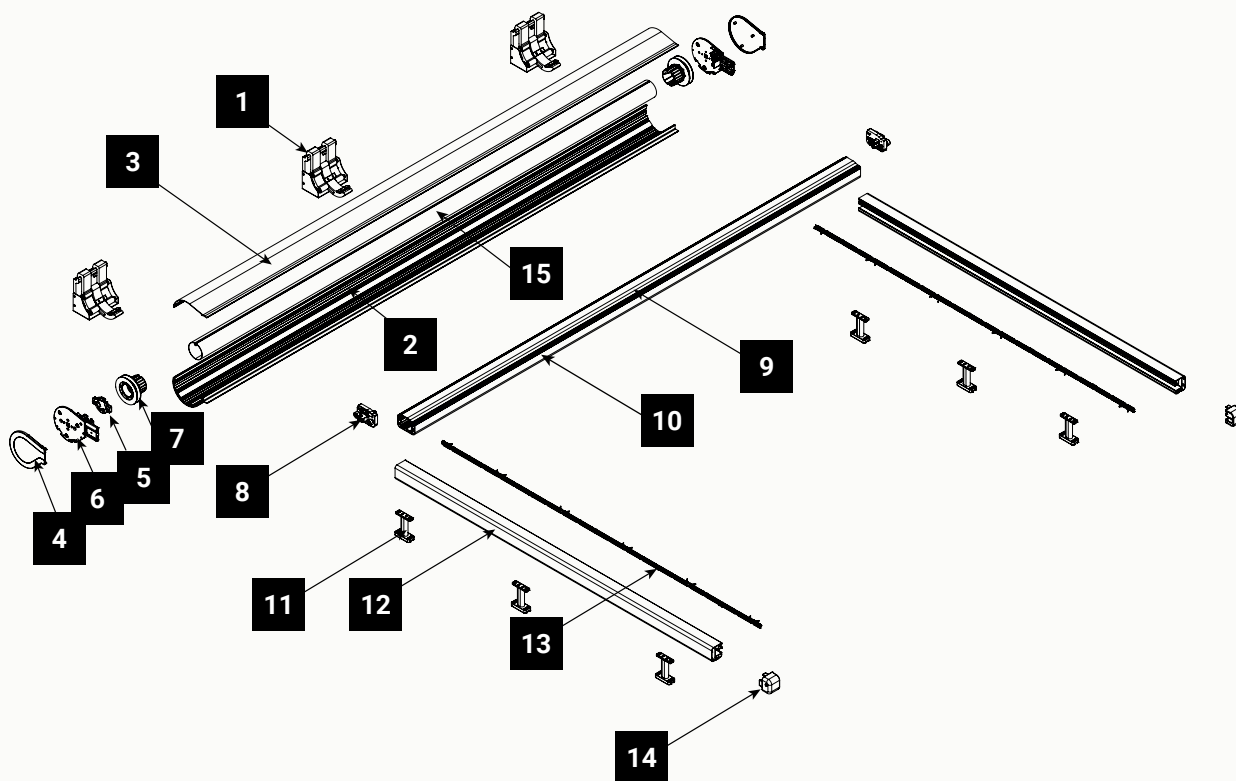


CE standards

IMPORTANT SAFETY INSTRUCTIONS. The system has powerful springs inside it. In the event of poor installation, these may cause the awning to open sharply. If any irregularities are observed during opening and/or closing, call a professional installer. To avoid possible damage, do not allow children to play with the awning.



Product parts



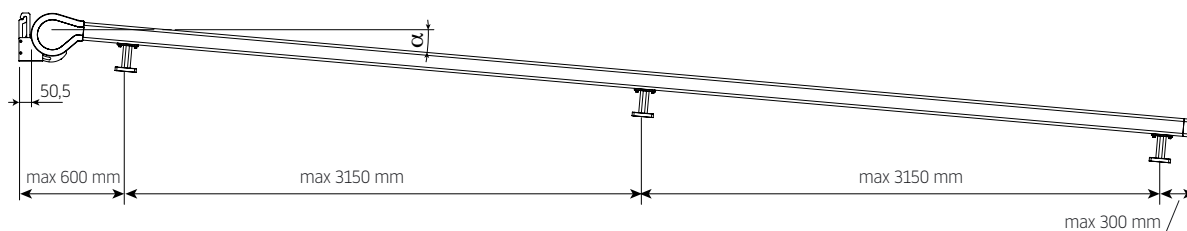
- | | | | |
|----------|------------------------|-----------|-----------------|
| 1 | Wall mounting (option) | 9 | Front bar |
| 2 | Base box | 10 | Front bar cover |
| 3 | Cover rail | 11 | Leg |
| 4 | Side cover | 12 | Guide rail |
| 5 | Motor mounting | 13 | Inlay |
| 6 | Mounting plate | 14 | Guide rail plug |
| 7 | Winding wheel | 15 | Winding tube |
| 8 | Front rail base | | |



Mounting

CAUTION! Assembly and installation should be performed by trained personnel. Below is a sample drawing of the permitted product with the appropriate dimensions. The permitted dimensions of the product must be checked during installation.

α Acceptable inclination angle 5°-30° Optimum water drainage in case of inclination angle 15°-30°

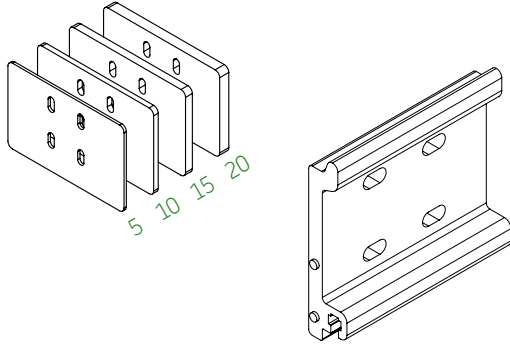


CAUTION! Risk of the awning falling, the order of assembly must be observed! Evaluate the conditions on location and use the appropriate fixings. Don't do the work by yourself, remember to use a level during installation.

Installation instructions

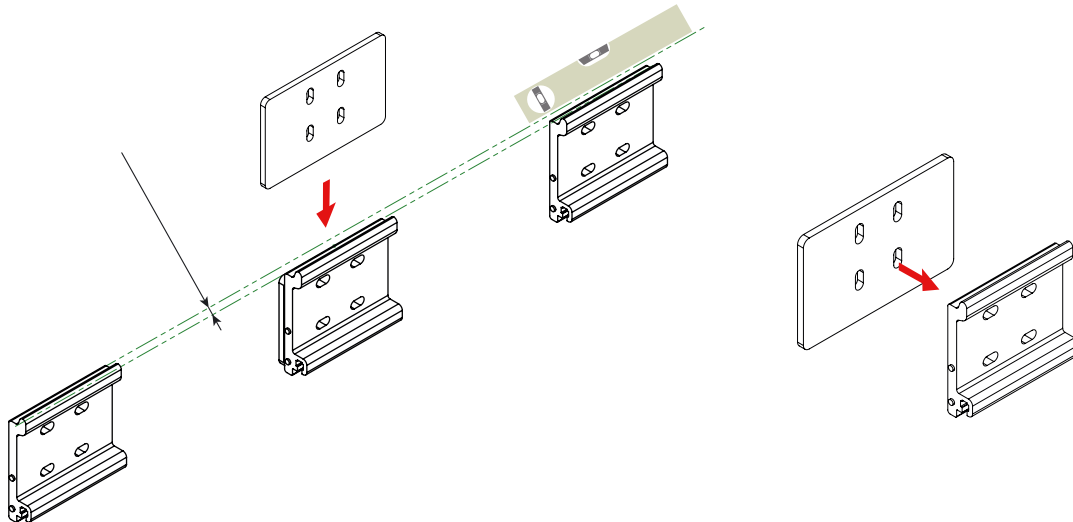
1

One option is to fix the product to the wall, in case of wall irregularity > 5 mm, spacer plates of different sizes can be used.



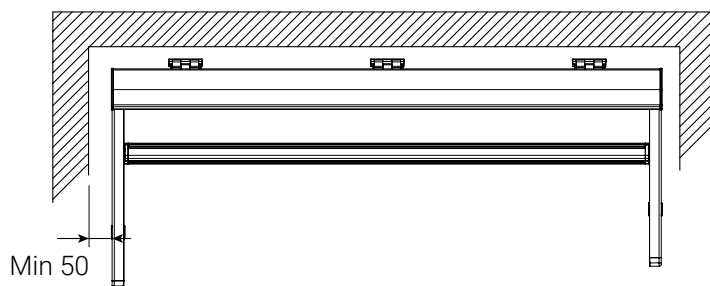
2

Setting the mounting elements. Install the box mounting elements to the wall so that the elements are on the same level and the holes are in axis



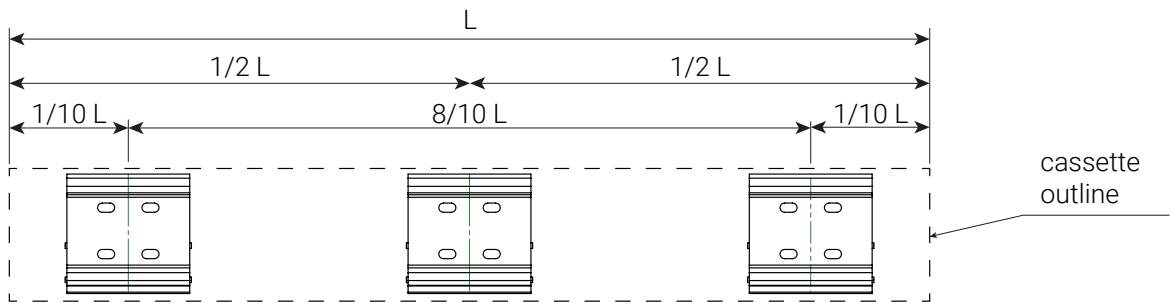
3

The distance between the mounting elements depends on the width of the product. Minimum distance to be kept between product and wall.



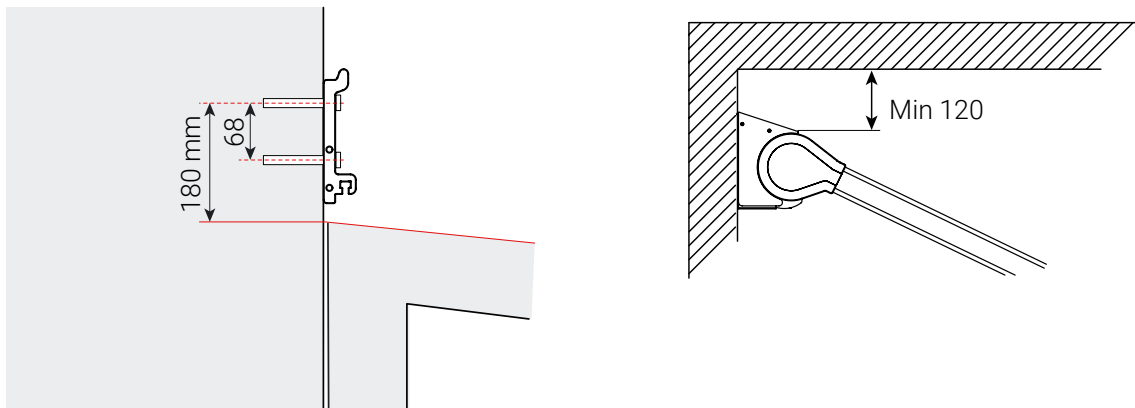
4

Distance between wall elements.



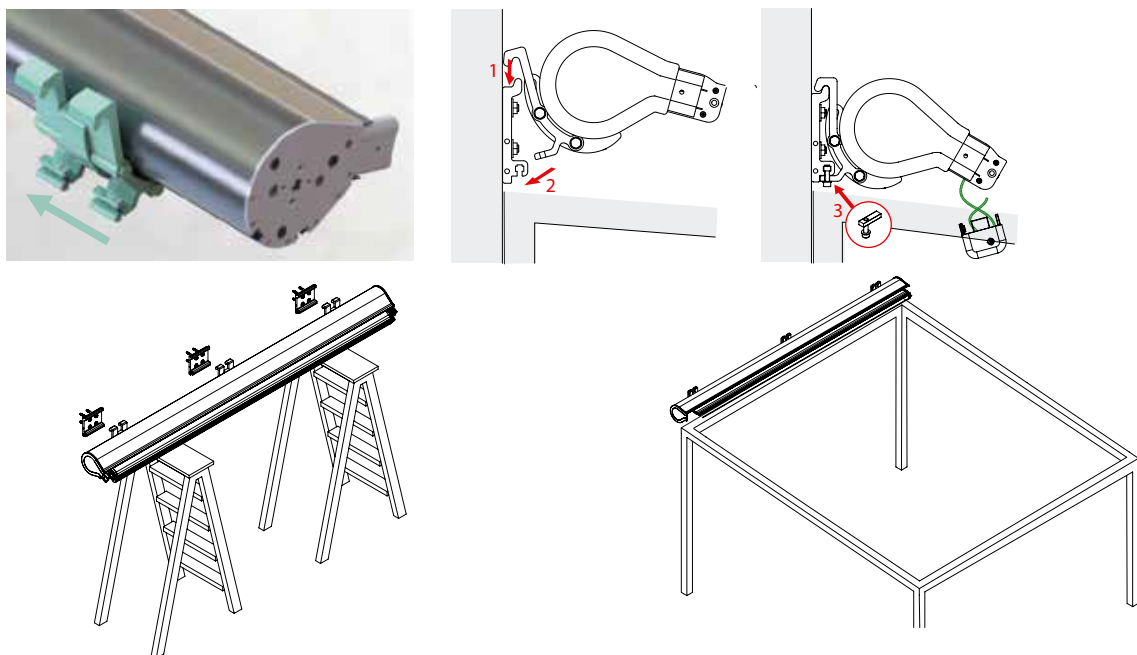
5

Marking out wall mounting locations.



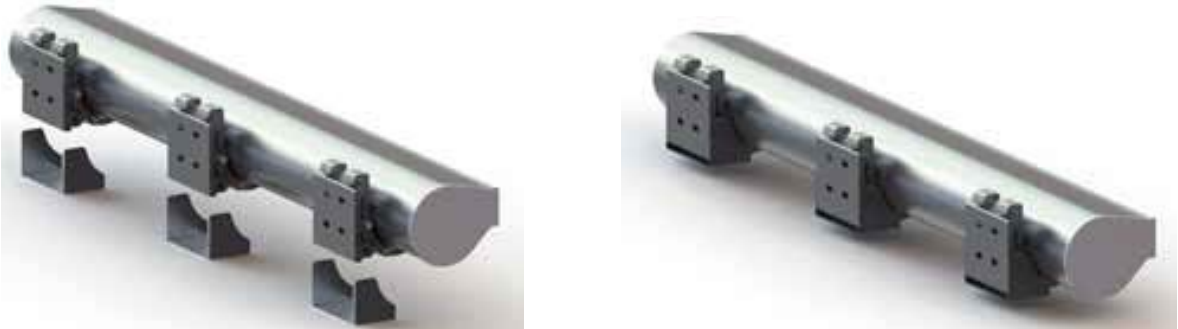
6

Drop the box and hook it to the wall plate (1), then slide in the lower part of the mount (2) finally slide in the mount locks and tighten the screw (3).



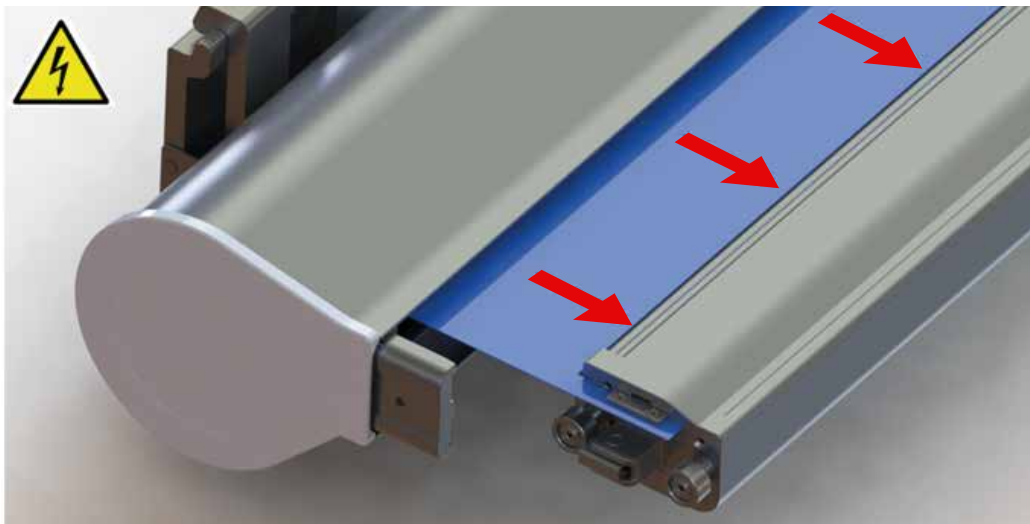
7

Distance between wall elements.



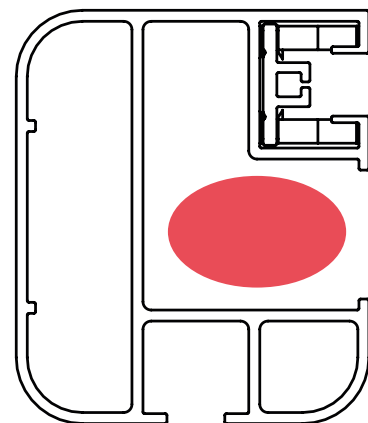
8

Connect the power supply and by using the remote control, move the fabric out slightly.

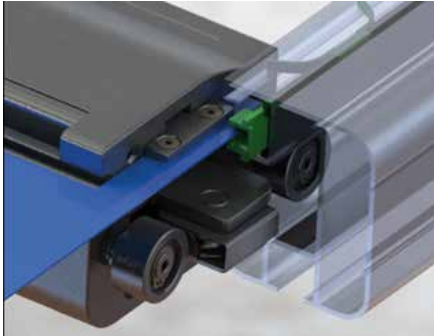


9

Secure end slat to prevent its falling. Then insert and screw the legs slightly into the guide rail so that they can be operated. Slide the guides into the side with a minimum of 2 people, make sure there is a line in the middle of the guide rail.



10 Guide the zip from the fabric into the inlay while sliding.



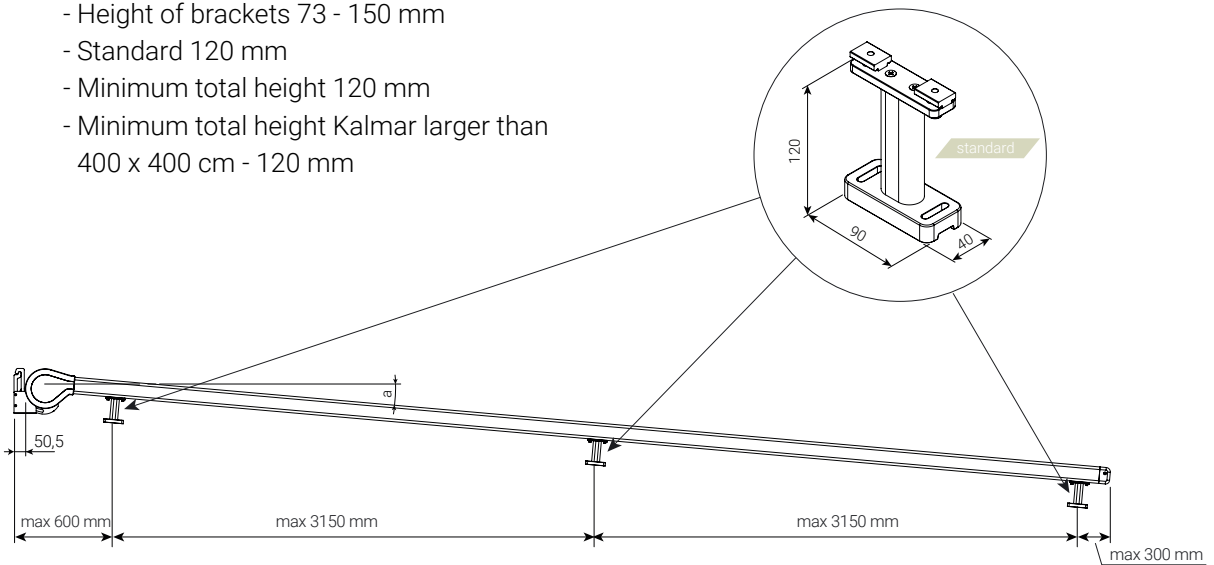
11 Sliding guide rails into the side.



12 Position brackets on the construction and mark the places where the hole will be drilled.

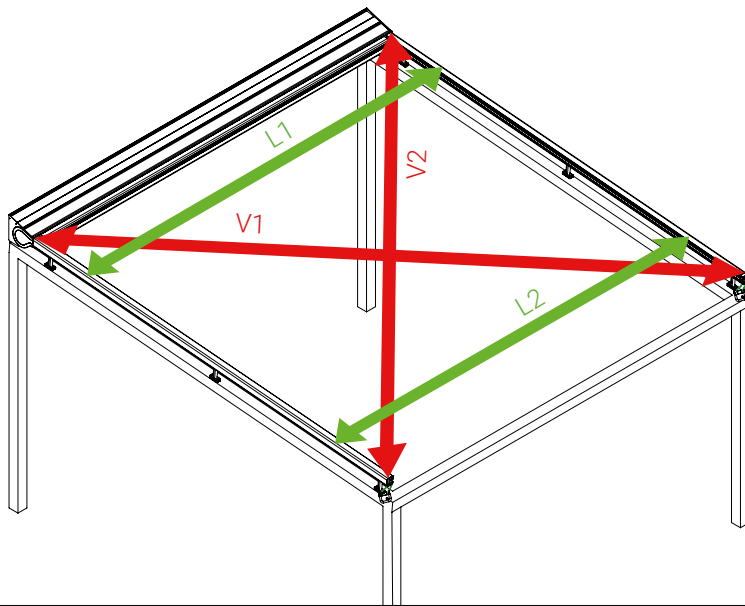
Support

- Height of brackets 73 - 150 mm
- Standard 120 mm
- Minimum total height 120 mm
- Minimum total height Kalmar larger than 400 x 400 cm - 120 mm



13

Regulation must be done very carefully. Difference between dimensions cannot exceed 5 mm! It is important to check the dimension between guide rails by the box and at the plugs of the side guide rail - dimensions have to be identical. Not following the rules during installation may cause damage to the product and invalidate the warranty. This may even cause accidents!



$V1 = V2$
 $L1 = L2$

14

Mount the guide rail plug, make sure that the cables are not tangled and run in a straight line. Screw in set screw M6x20 DIN 914.



15

After mounting the product remove the red spring tension straps.
Remove front slat cover with sticker.



Caution spring tension!
Risk of injury!

16

Use scissors to cut the strips gently. After cut the strips remove it from front slat.

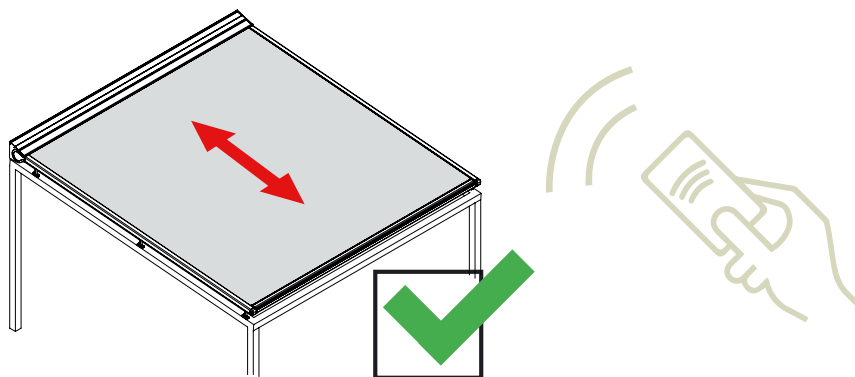
Reassemble and screw together again the front slat with cover.

Remove the sticker from front slat cover.



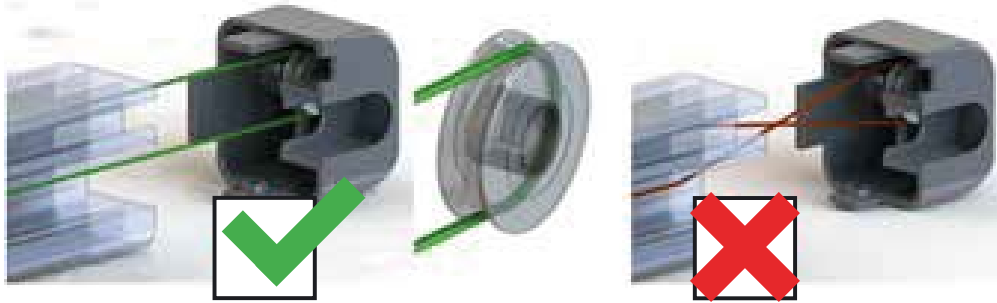
17

After correct installation, perform a test run, check the fabric tension, check the lines in the guide rail for tension and correct operation (if they did not fall off the guide wheels).



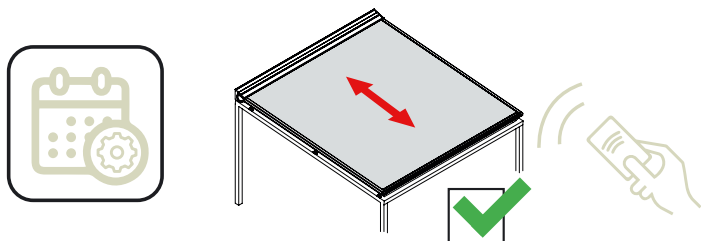
18

Check if the fabric zips are guided in the inlay.



Product check-up

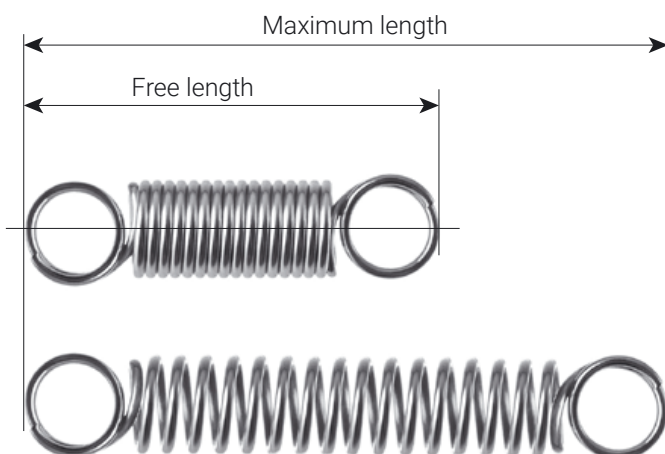
Make sure that product is serviced at least once a year. Make a full run-through of the product, check that the product pulls out and hides properly, check tension of the fabric during the run.



Remove the front slat flap and check that springs and components are in the right place.



Check if the springs have the correct length.

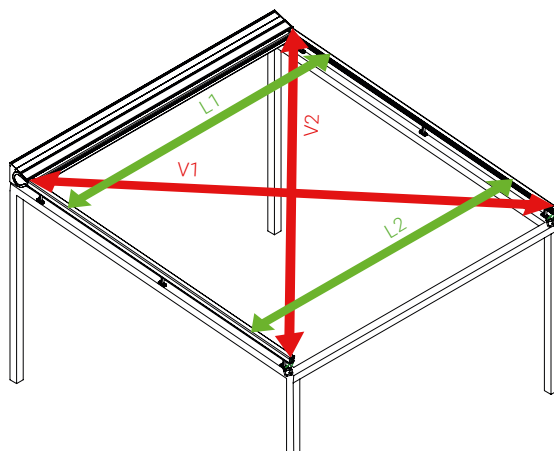


Kind of spring	Free spring length (cm)	Maximum length (cm)
Long	50	80
Short	35	50

Check if connecting elements are not loose.



Check the diagonals and the lengths between the guide rails at the end and start points.



$V1 = V2$
 $L1 = L2$

Check guiding of the line on all wheels.



Check if fabric zip is guided in Inlay.

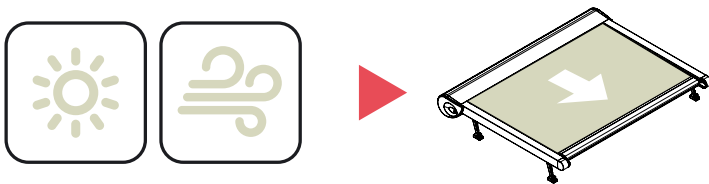


Basic notes on assembly and installation:

- Assembly and installation should be done by trained personnel.
- **IMPORTANT SAFETY CONSIDERATIONS:** For proper installation of the awning, the instructions for assembly and installation must be carefully followed step by step.
Keep plastic bags or any other mounting pieces out of children's reach.
- Do not alter the design or the configuration of the system, nor modify the installation method without consulting the manufacturer or an authorised representative.
- If the awning is to be installed in windy areas where there are frequent blackouts, back-up generator is recommended.
- When motorised units are inspected or repaired, always disconnect them from the power supply.

Information to the user

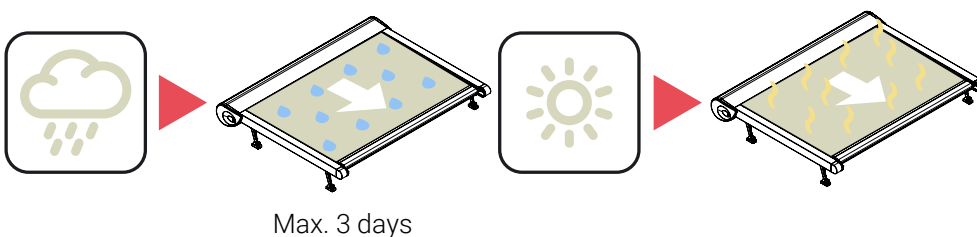
The product's expanded fabric offers protection from the sun and light wind.



In case of heavy rain, snow, hail, or strong wind, it is recommended to roll up the product.

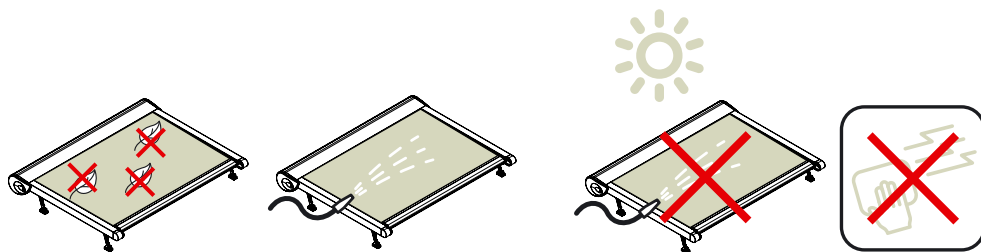


If the product becomes wet in heavy rain, it can still be rolled up and unrolled later to dry. However, it is important to avoid leaving the rolled-up wet fabric for more than three days to prevent the formation of mould or stains.

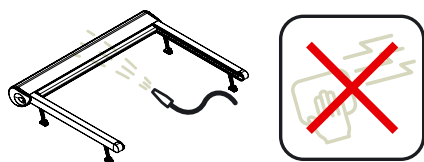


Cleaning instructions

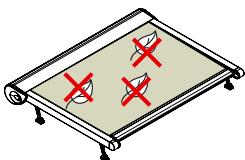
Before cleaning, remove loose dirt. Then, using warm water (max. 30°), remove any remaining dirt. For deeper stains, use water with a small amount of soap. Always rinse the fabric thoroughly after cleaning. Avoid cleaning in direct sunlight as soapy water dries quickly and may leave stains on the fabric. Do not use aggressive cleaning agents or abrasive materials.



To clean dirty pro les, use warm water and a mild cleaning agent. Avoid using aggressive or abrasive products. Also, refrain from using high-pressure water streams during cleaning.

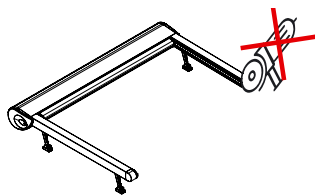


Regularly inspect your product by removing any leaves, twigs, or insects.

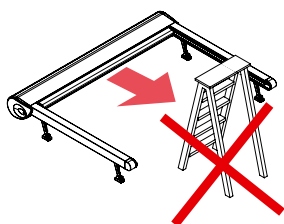


Important information

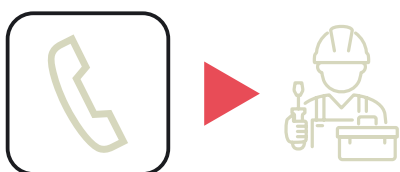
Do not alter the structure without consulting the manufacturer. The elements must be installed properly in accordance with the instructions.



When opening or closing the product, make sure there are no obstacles obstructing the way.



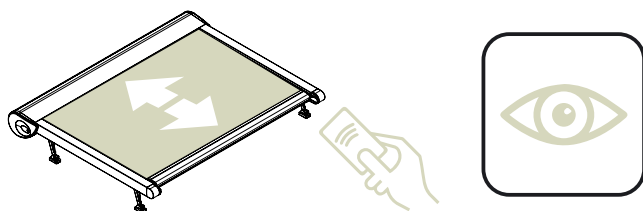
If the product fails to function properly during use, please contact your installer for any necessary repairs.



WARNING! Keep the remote control and transmitter out of the reach of children. This product is not suitable for children's play.



Only steer the product when it is within your field of vision.

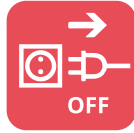
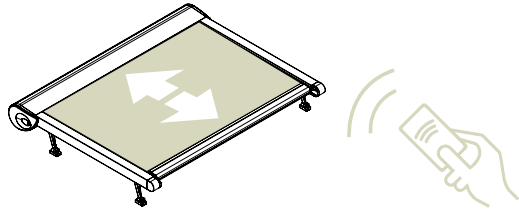


Remember to have an annual service performed by a professional installer.



Product check-up

Perform a test run and check if the product rolls out and retracts properly.
Ensure that the fabric is properly tensioned.

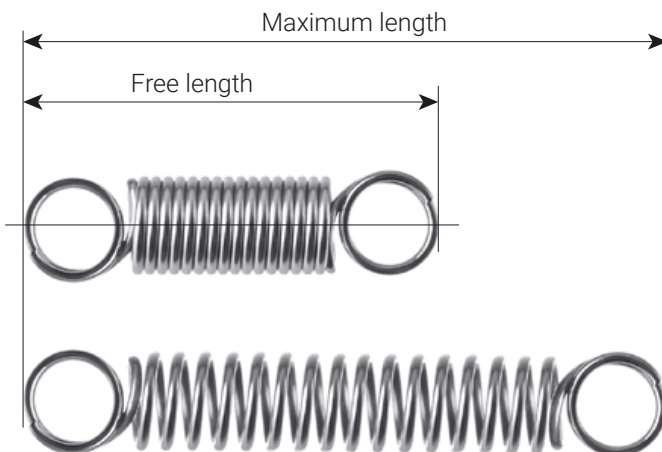


ATTENTION! Disconnect power before performing service check.

Remove the flap in the front slat and check if the springs are in the correct position.



Ensure that the springs are of the correct length.

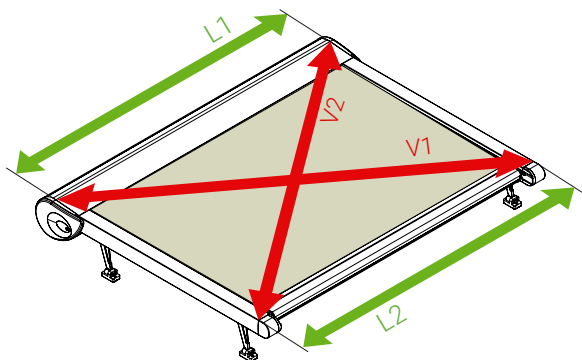


Kind of spring	Free spring length (cm)	Maximum length (cm)
Long	50	80
Short	35	50

Ensure that there are no loose connections.

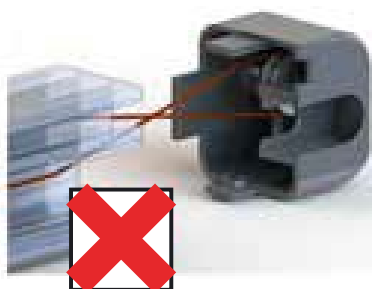
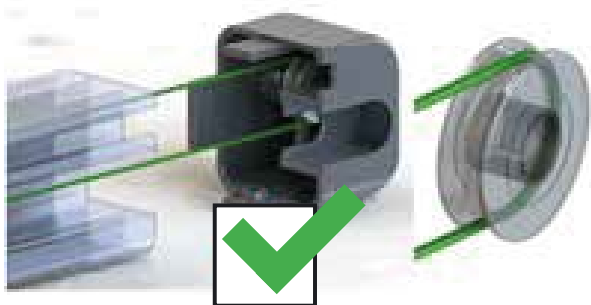


Check the diagonals and lengths between the guide rails at the product end and on the box.



 $V1 = V2$
 $L1 = L2$

Check the cable guidance on all wheels.



Check if the fabric's zip is inserted into the inlay.





It is very important to follow these installation and operating instructions exactly.
We cannot accept any responsibility for problems arising out of a failure to follow
the installation and operating instructions.

If you would like more information and/or you are having problems, please contact
the dealer where you bought your Luxaflex® product.

Simply
brighter
living



All rights reserved. Unauthorised copying is prohibited. Technical data subject to change without notice.
No rights can be derived from copy, text pertaining to illustrations or samples. Subject to changes in
materials, parts, compositions, designs, versions, colours etc., even without notice.
© Registered trademark. A HunterDouglas® product. © Copyright HunterDouglas® 2025.