



Installation manual

Awning *Larvik*

Simply brighter living



Icon overview



Use with sun



Don't use with snow



Don't use with rain



Don't use with hail



Use with sun and rain



Class by N. of cycles



Danger! Strong arm tension



Luxline 400



28 Km/h



Made in Europe



CE standards



Width

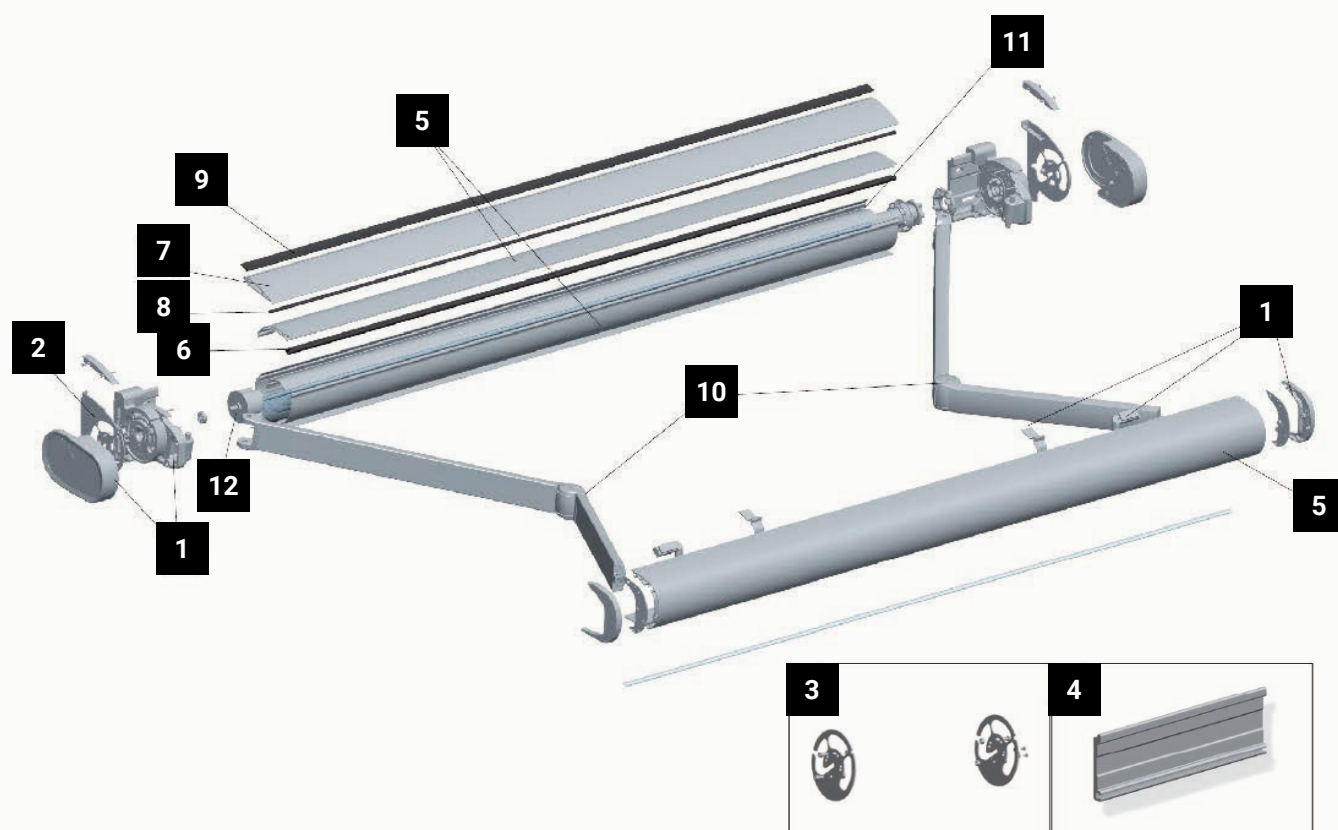


Projection

IMPORTANT SAFETY INSTRUCTIONS. The system has powerful springs inside it. In the event of poor installation, these may cause the awning to open sharply. If any irregularities are observed during opening and/or closing, call a professional installer. To avoid possible damage, do not allow children to play with the awning.



Product parts

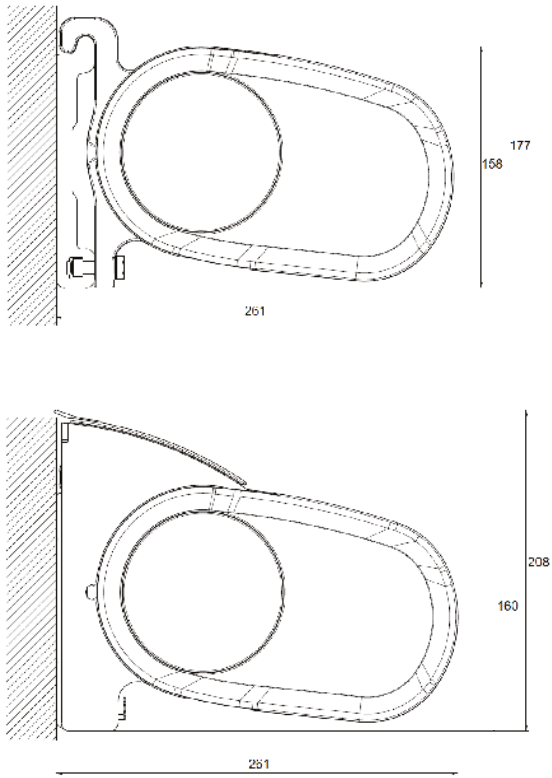


- | | | | |
|----------|-----------------------------------|-----------|------------------------------|
| 1 | Larvik support set and caps | 7 | Top cover (for front fixing) |
| 2 | Luxline 400 top cover support set | 8 | Top cover sealing profile |
| 3 | Supl. Larvik support | 9 | Sealing profile to the wall |
| 4 | Long fixing plate for cassette | 10 | Arms |
| 5 | Cassette profiles kit | 11 | Rolling tube |
| 6 | Cassette rubber sealant profile | 12 | Roller end Bearing |

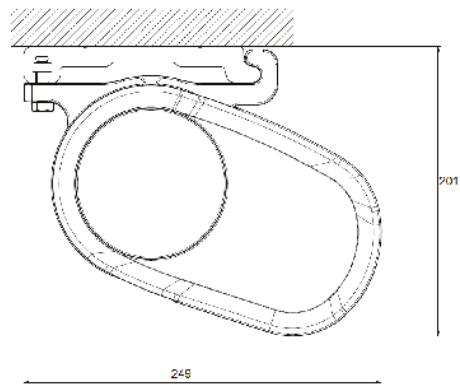


Mounting

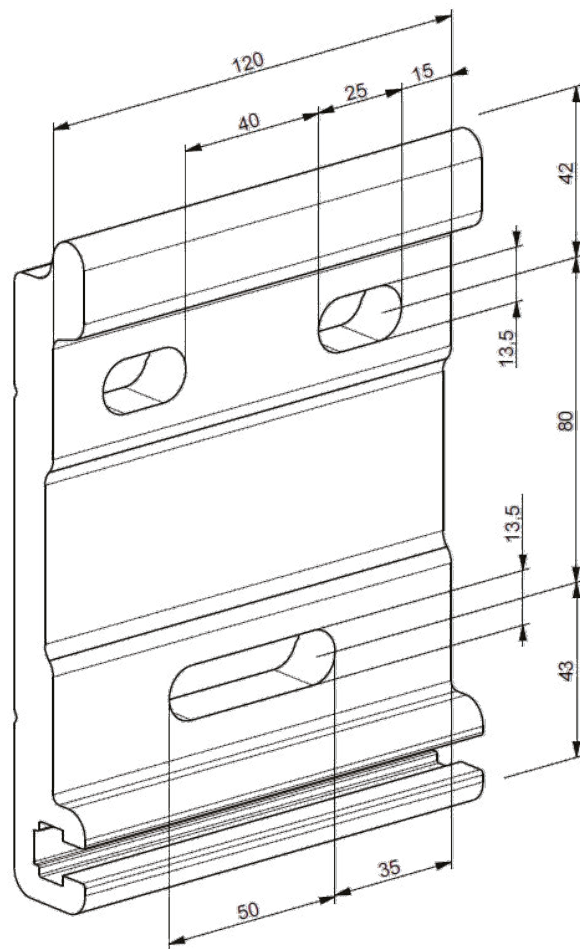
Wall mounting (mm)



Ceiling mounting (mm)



Wall- ceiling fixing plate



Windclass

Classification according to European standards: EN 13.561:2015



M		
Arm projection (m)	Width	Class
4,00	6,00	C.1

Information about arms replacement



The arms have a protective band for correct identification:

GREEN: Right hand side viewed from outside

RED: Left hand side viewed from outside

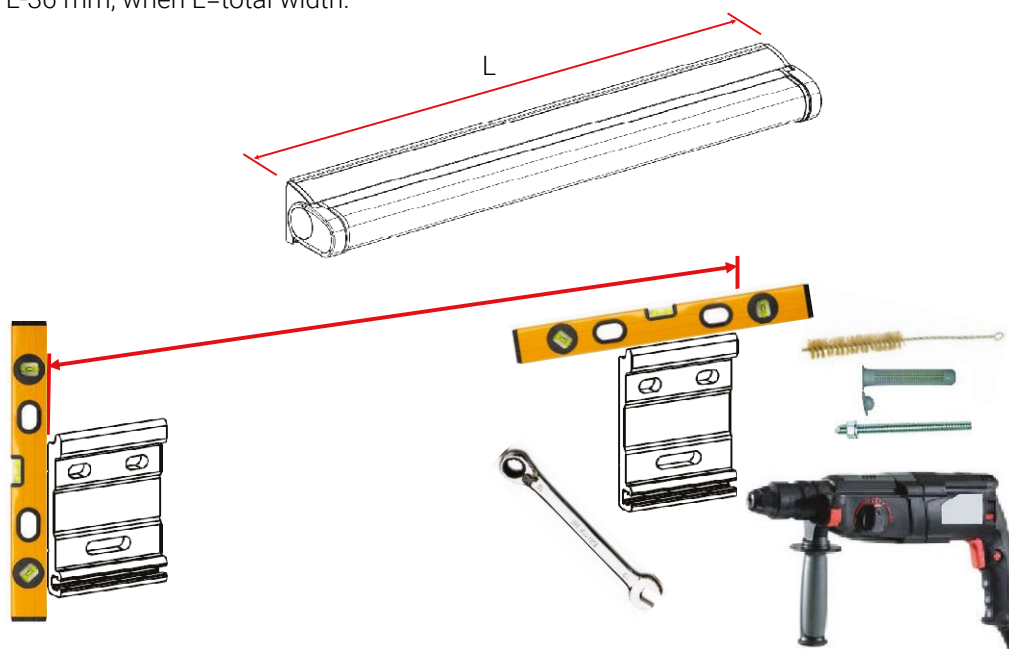


NEVER EXTRACT THE SAFETY TENSION BANDS UNTIL THE ARM HAS BEEN FIXED TO THE FRONT PROFILE.

Installation instructions

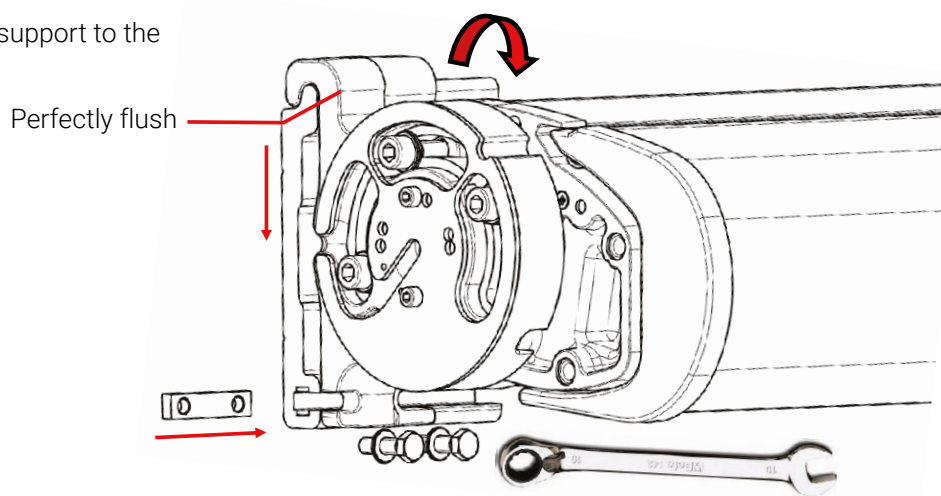
1

The distance between the exterior part of the wall plates should be:
 $L - 36 \text{ mm}$, when $L = \text{total width}$.



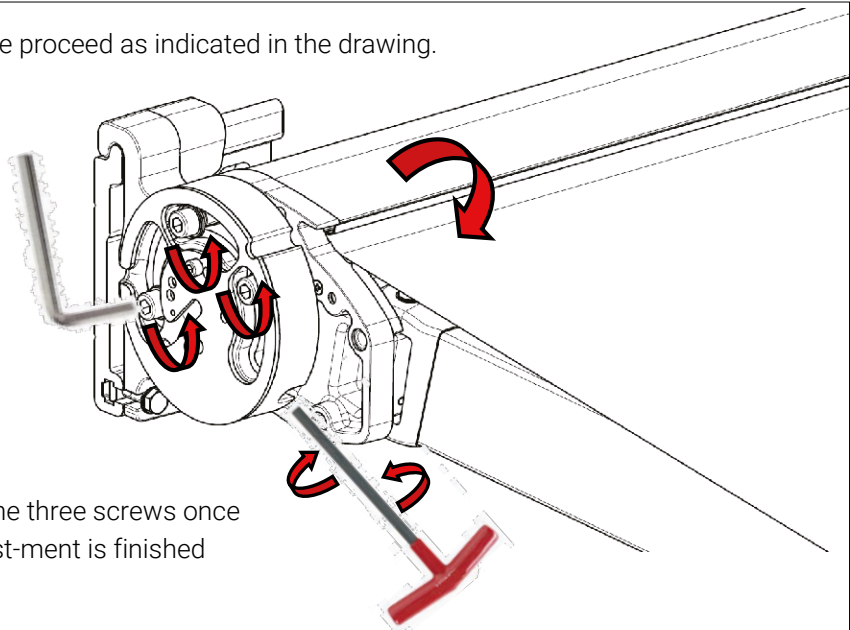
2

Fixing the cassette support to the wall brackets.



3

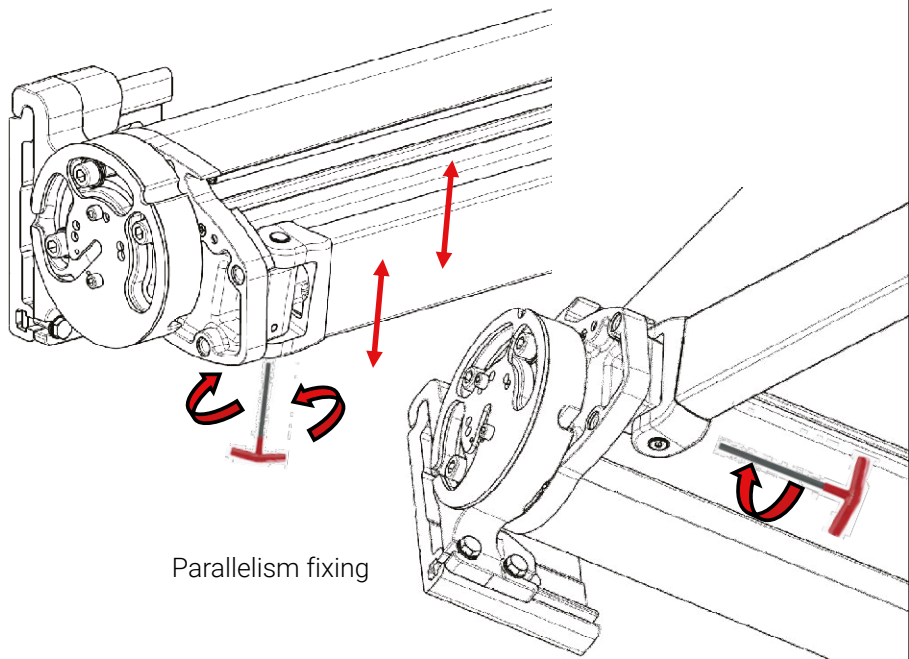
To change the cassette slope proceed as indicated in the drawing.



Fasten the three screws once the adjustment is finished

4

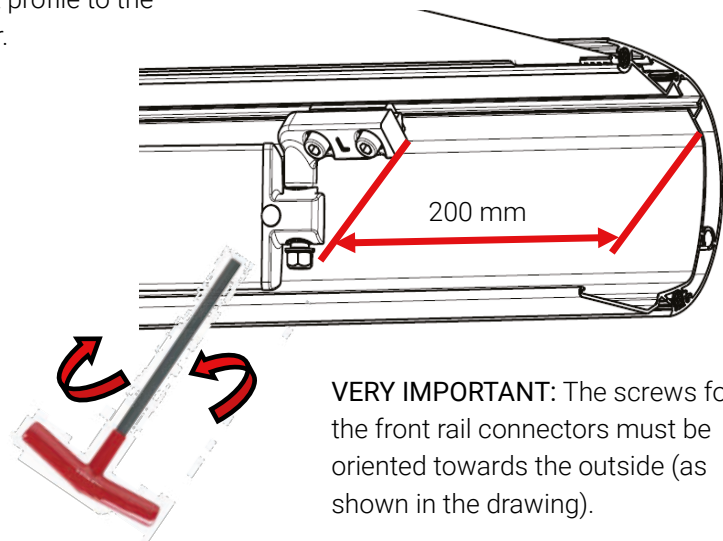
To modify the alignment of the arms, proceed as indicated in the parallelism regulation.



Parallelism fixing

5

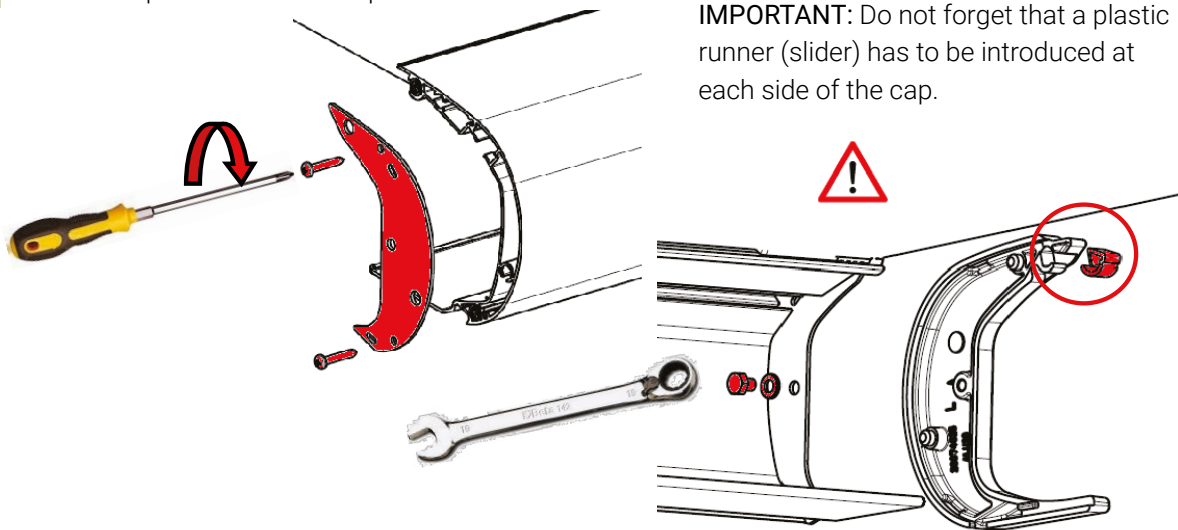
Positioning distance for the front rail connectors, measured from the end of the front profile to the outer end of the front rail connector.



VERY IMPORTANT: The screws for the front rail connectors must be oriented towards the outside (as shown in the drawing).

6

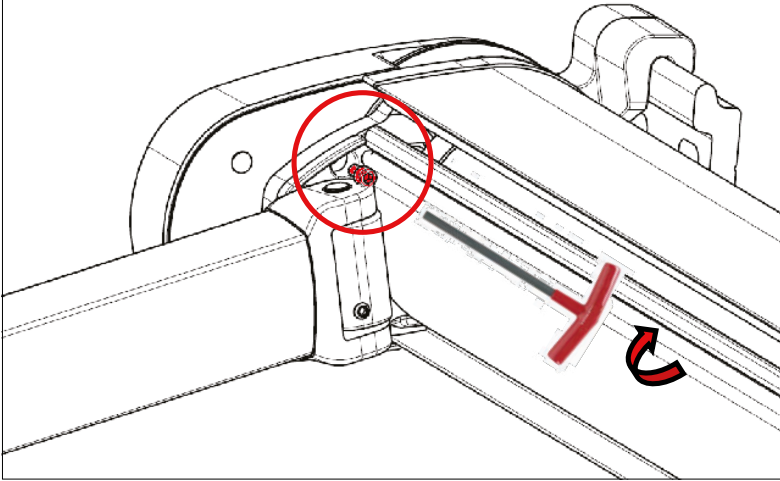
Place the plates for the front profile.



IMPORTANT: Do not forget that a plastic runner (slider) has to be introduced at each side of the cap.

7

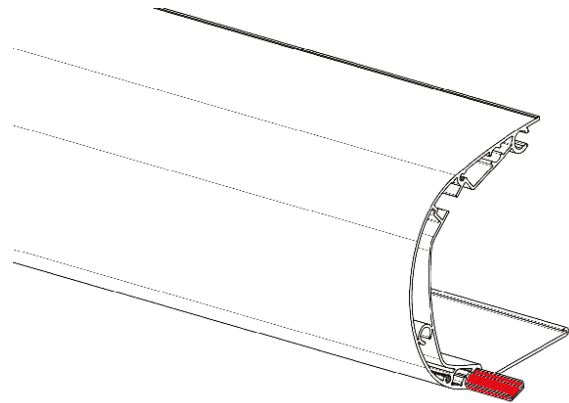
Fixing the aluminium side cap to the cassette structure with the safety screw.



8

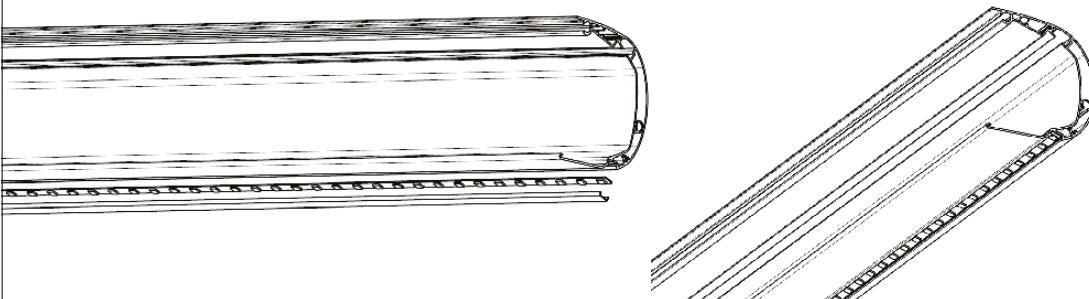
The lower slot in the front profile is equipped with a diffuser profile.

The diffuser profile can be placed as a concealment element even if there is no led strip inserted in the slot.



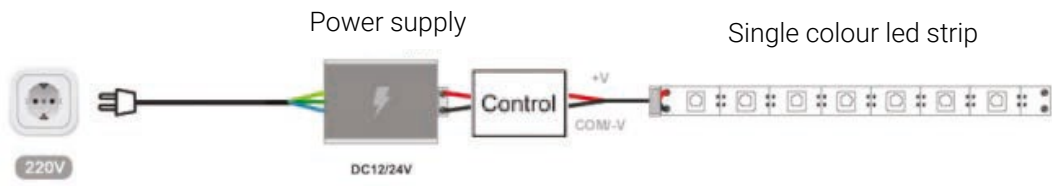
9

The led strip can be affixed in the slot through its self-adhesive layer.



10

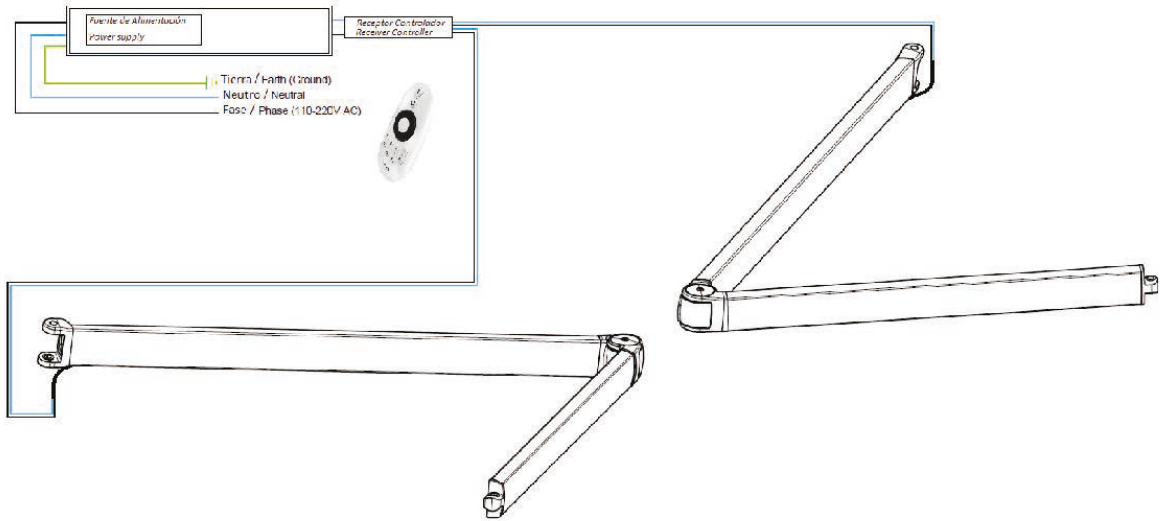
Wiring examples for led strips operated by hand transmitter.



11

Wiring example for led strips.

Linear LED connection details



Basic notes on assembly and installation:

- Assembly and installation should be done by trained personnel.
- **IMPORTANT SAFETY CONSIDERATIONS:** For proper installation of the awning, the instructions for assembly and installation must be carefully followed step by step. Keep plastic bags or any other mounting pieces out of children's reach.
- Do not alter the design or the configuration of the system, nor modify the installation method without consulting the manufacturer or an authorised representative.
- If the awning is to be installed in windy areas where there are frequent blackouts, manual operation or the use of a back-up generator is recommended.
- When motorised units are inspected or repaired, always disconnect them from the power supply.

Information to the user

The awning must be rolled away:



- In the event of ice, if operation is particularly difficult and in the absence of safety measures, stop the operation until more favorable conditions prevail
- During opening and closing, make sure there is no obstacle which could get in the way. NEVER FORCE THE AWNING! If the awning does not move at all when you try to operate it, call a professional installer.
- In the case of motorized awnings, it should be borne in mind that the motor features a thermal safety device to avoid overheating and breakdowns. This device is activated when the operating switches are pressed insistently.
- Do not submit the installation to additional loads or stresses not covered by the manufacturer's configuration. Do not interfere with the system's fixing components.
- Examine the installation if it has been subjected to adverse weather conditions, and if any repairs are needed do not use it. In such cases, a professional installer should be called.
- Keep the installation clean and in good condition. A yearly maintenance check by an authorized professional installer is recommended.
- We recommend that the awning is equipped with rain and/or wind-automation that secures that the awning is not used when it is rain or heavy wind.

IMPORTANT SAFETY INSTRUCTIONS. The system has powerful springs inside it. In the event of poor installation, these may cause the awning to open sharply. If any irregularities are observed during opening and/or closing, call a professional installer. To avoid possible damage, do not allow children to play with the awning.

It is very important to follow these installation and operating instructions exactly.
We cannot accept any responsibility for problems arising out of a failure to follow
the installation and operating instructions.

If you would like more information and/or you are having problems, please contact
the dealer where you bought your Luxaflex® product.

Simply
brighter
living



All rights reserved. Unauthorised copying is prohibited. Technical data subject to change without notice.
No rights can be derived from copy, text pertaining to illustrations or samples. Subject to changes in
materials, parts, compositions, designs, versions, colours etc., even without notice.
® Registered trademark. A HunterDouglas® product. © Copyright HunterDouglas® 2025.