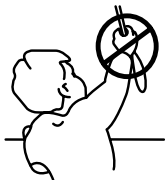
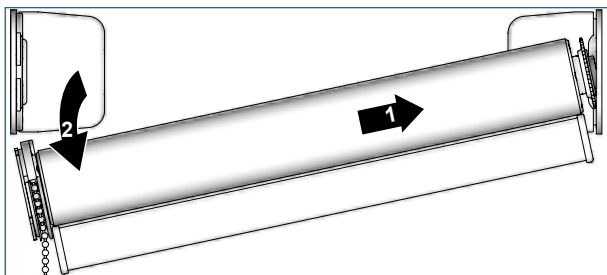
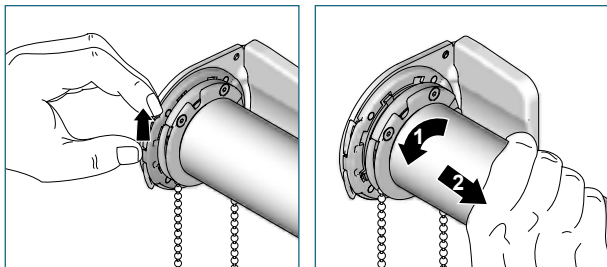
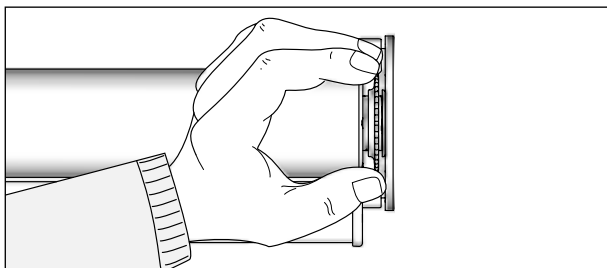
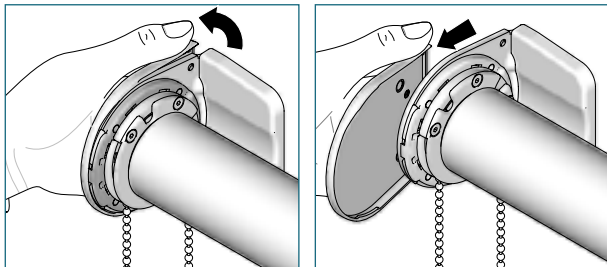


Removal



WARNING

Young children can be strangled by loops in pull cords, chains, tapes and inner cords that operate the product.

They can also wrap cords around their necks.

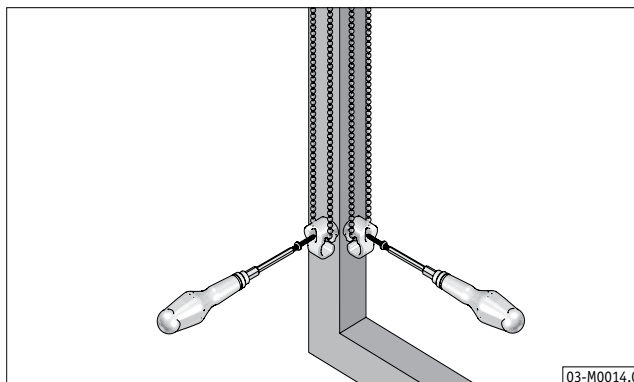
To avoid strangulation and entanglement, keep cords out of reach of young children.

Move beds, cots and furniture away from windowcovering cords. Do not tie cords together.

Make sure cords do not twist and create a loop.

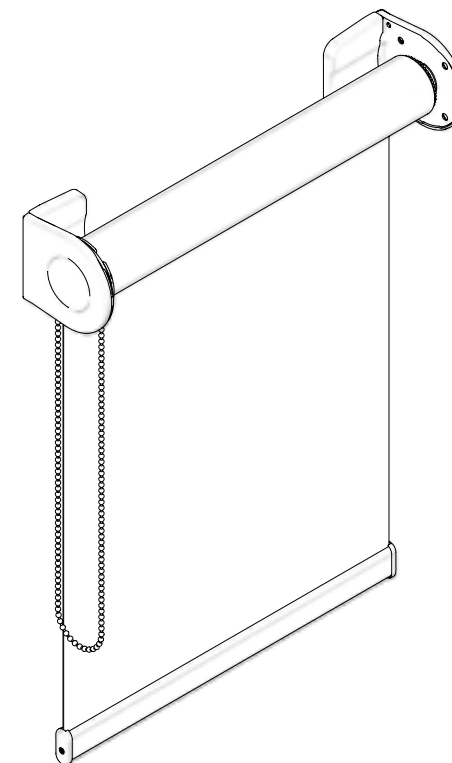
Install and use the included safety devices according to the installation instructions on these devices to reduce possibility of such an accident.

According to EN 13120

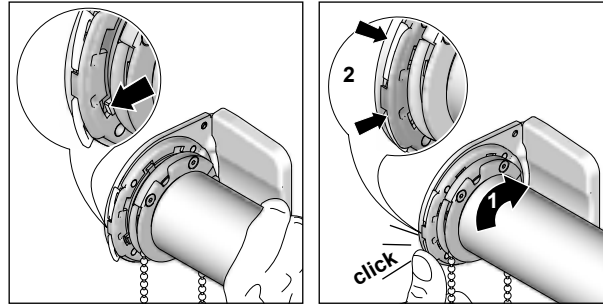
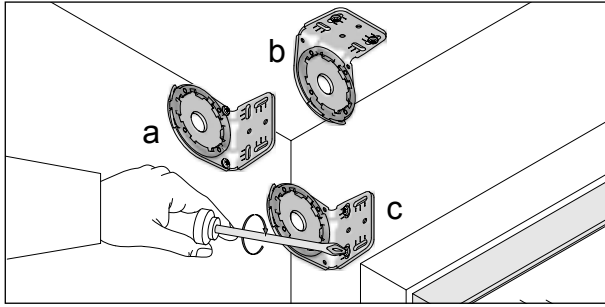


Installation Instruction

Roller Blind chain Operated Type
XXL



Installation



Option: Leveller

